

**Back by Popular Demand!**

# Porta

**DRILL CHUCKS & POWER TOOL ACCESSORIES MANUFACTURER**  
**SINCE 1936**

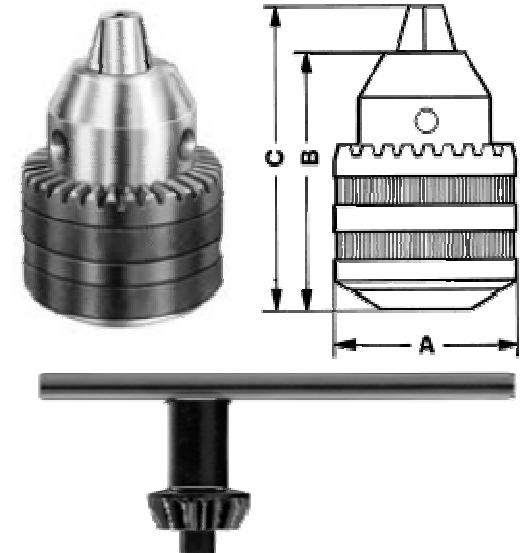
## Key operated chucks

**Medium duty** for professional users of power tools, bench drilling machines, and woodworking machinery.

**Heavy duty** for production drilling machines and industrial power tools.

Packed in individual cartons with key

Tool & Cutter Part No.	Drilling capacity	Mount	With Key	A mm	B mm	C mm	Range	Weight g
<b>MASAPP16J3</b>	0.5-16 / 1/32-5/8	JT 3	KS3	60	80	104	HEAVY DUTY	950
<b>MASAP10J2</b>	0.5-10 / 1/32-3/8	JT 2	KS2	42.7	62	76	HEAVY DUTY	375
<b>MASAP13J6</b>	0.5-13 / 1/32-1/2	JT 6	KS3	51	72	92	HEAVY DUTY	635



**IN STOCK NOW!!**

**MASAPP16J3.....\$95.95**  
**MASAP10J2.....\$42.95**  
**MASAP13J6.....\$60.95**

