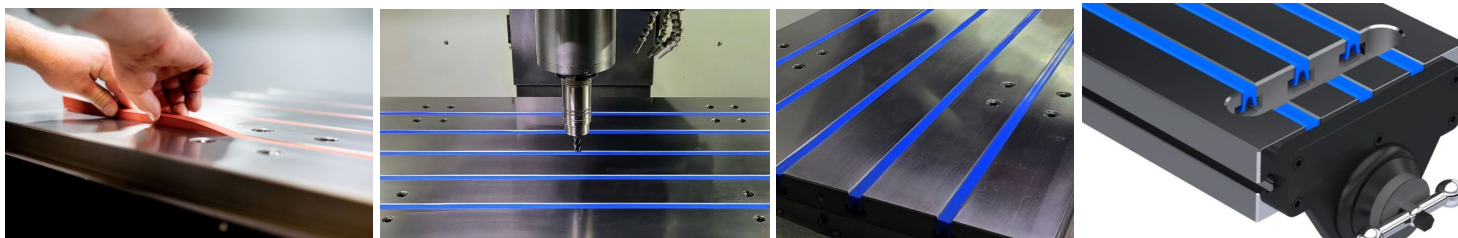


TWO NEW PRODUCTS!

Tool & Cutter Supply Co. Is now an official dealer for Octane Work Holding Products. Their 5/8" T-Slot Covers and Ignite work holding clamps are in stock at our warehouse.

Contact us to find out more: 1-800-265-6056 / support@toolandcutter.com

T-SLOT CHIP GUARD COVERS



The Octane Chip Guard is designed to save you time. T-slot tables have been a staple for years, with almost every machine built today utilizing them. While being extremely versatile, chips filling the grooves has always been a problem. Made from high temperature silicone, the Chip Guard is durable, washable, flexible, and looks great installed. Red hot chips are not a problem - the Chip Guard can handle anything you throw at it.

Anyone who has experienced being splashed in the face with chips and coolant knows how awful the experience can be. An eye injury can occur even when wearing safety glasses. With these covers installed, operator morale and safety will improve. Chips wash away naturally during the machining cycle when they aren't packed into a T-Slot. Cleanup between cycles and at the end of the day take seconds instead of several minutes or hours. Try the Octane Chip Guard, your Machinists will thank you!

INSTALLATION INSTRUCTIONS



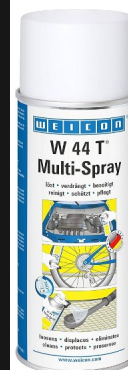
1 MEASURE AND TRIM



2 APPLY RUST PREVENTATIVE



3 PINCH AND PLACE
Insert to desired depth
We recommend 1/8" below tabletop



Weicon W44T
For short term
installation



Weicon Corro-
Protection
For long term
installation

5/8" Size (P/N OCTBL58INCH) is in stock at our warehouse – Please contact us for pricing
Also available in 9/16, 11/16, 5/8, 7/8, and 1-1/8 – Please contact us for pricing

Rust preventative sprays:

Weicon W44T 400ml Spray (P/N WEI11251400) – Please contact us for pricing

Weicon 400ml Corro-Protection 400ml spray (P/N WEI11550400) – Please contact us for pricing

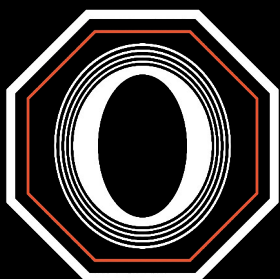


Tool+Cutter
www.toolandcutter.com



support@toolandcutter.com

1-800-265-6056

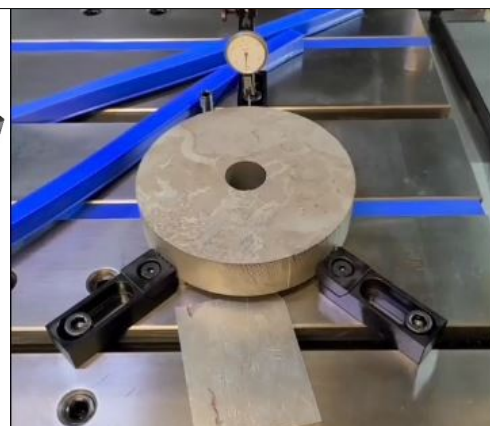
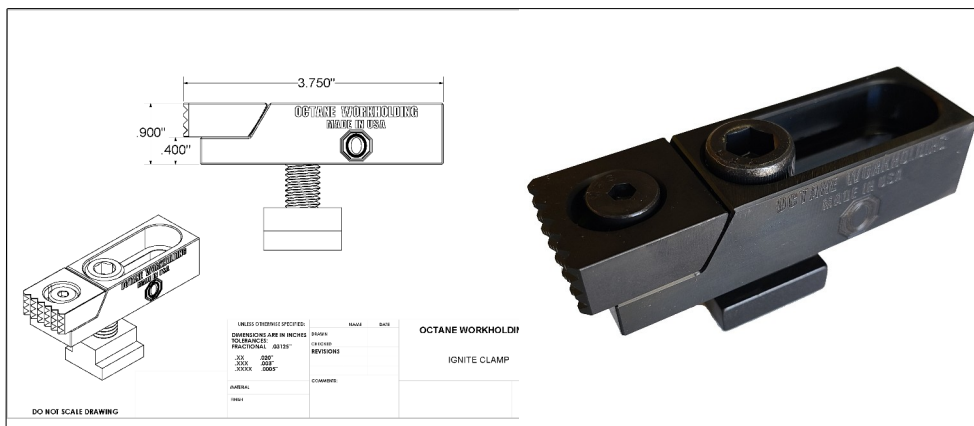


TWO NEW PRODUCTS!

Tool & Cutter Supply Co. is now an official dealer for Octane Work Holding Products. Their 5/8" T-Slot Covers and Ignite work holding clamps are in stock at our warehouse.

Contact us to find out more: 1-800-265-6056 / support@toolandcutter.com

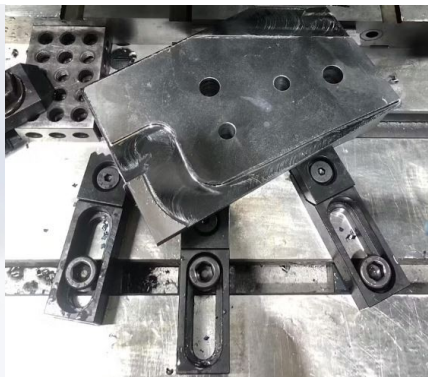
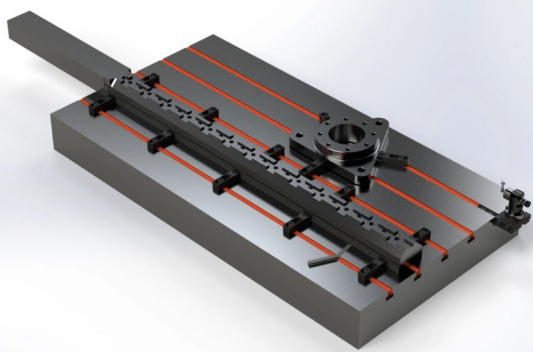
THE "IGNITE" WORKHOLDING CLAMP



The Ignite Clamp holds parts of all shapes and sizes. With the ability to position the clamp at any angle along the T-Slot, square or odd shapes can be held with ease. The wedge clamp design actively pulls downward as the clamp is engaged while simultaneously applying lateral force. This downward force creates a stable condition for machining with no chance of lifting, vibrations, or movement. Shims can be placed under the part when drilling through is necessary, or to provide more clearance for machining the entire part. Fully supporting the workpiece in this way dampens vibrations. By shimming the workpiece up, fewer teeth can be engaged, allowing a low profile hold. This Ignite Clamp can replace a whole drawer full of less robust clamps.

Assembly Includes: 52 HRC Hard Jaws & 4140 Steel Clamp Body With Black Ferritic NitroCarburizing, Low Profile 3/18"-16 Screw, 1/2"-13 Main Body Screw - T-Nut Not Included (compatible with 1/2-13 T-Nuts)

In stock at our warehouse (P/N OCTIC3759) – Please contact us for pricing



Tool+Cutter
www.toolandcutter.com



support@toolandcutter.com
1-800-265-6056