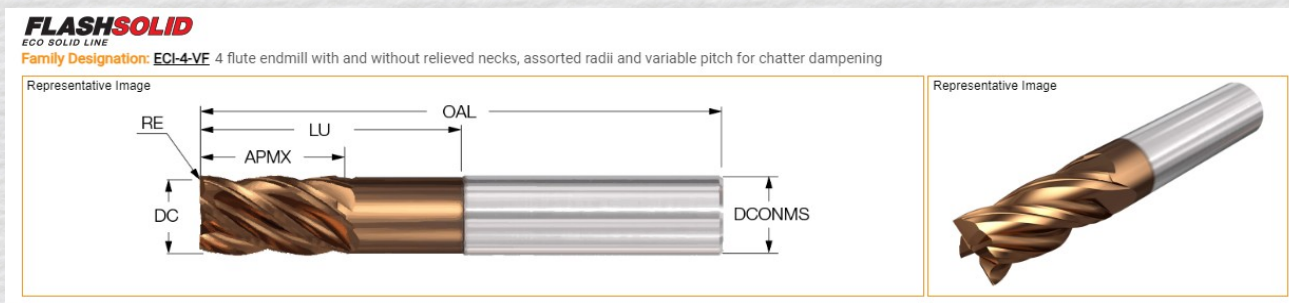


SPECIAL SAVINGS ON ISCAR SOLID CARBIDE END MILLS

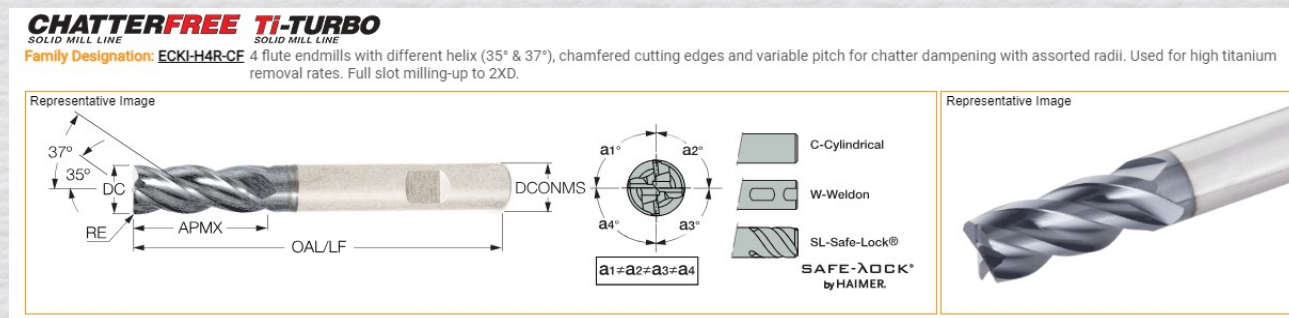
SAVE 15% ON ISCAR'S ENTIRE SOLID CARBIDE END MILL OFFERING UNTIL FURTHER NOTICE!

**EXTRA SPECIAL SAVINGS ON THESE SELECTIONS FROM THE "FLASH SOLID" AND "TI-TURBO" SERIES:
(CLICK ON THE PART # TO VISIT THE ISCAR E-CATALOG WEB PAGE FOR THAT ITEM)**



FLASH SOLID LINE - EXCELLENT CHOICE FOR STEELS, ISO P, K, M, S MATERIAL GROUPS

Part #	Description	DIA.	LOC	OAL	Corner	Shank	Regular Price	Special
ISC3398259	ECI-4 250-750C0VF2.5	1/4"	3/4"	2-1/2"	Sharp	Cylind.	\$26.87	\$16.94
ISC3398269	ECI-4 312-875C0VF2.5	5/16"	7/8"	2-1/2"	Sharp	Cylind.	\$37.66	\$23.30
ISC3398283	ECI-4 375-1.0C0VF2.5	3/8"	1"	2-1/2"	Sharp	Cylind.	\$45.93	\$29.19
ISC3398309	ECI-4 500-1.25C0VF3	1/2"	1-1/4"	3"	Sharp	Cylind.	\$63.90	\$39.95
ISC3398091	ECI-4 500-1.25C03VF3	1/2"	1-1/4"	3"	.030 rad	Cylind.	\$74.37	\$47.00



CHATTERFREE TI-TURBO - EXCELLENT CHOICE FOR STAINLESS STEELS, HIGH-TEMP ALLOYS, MILD STEELS

Part #	Description	DIA.	LOC	OAL	Corner	Shank	Regular Price	Special
ISC3337609	ECKI-H4R250-500C015CF-2.5	1/4"	1/2"	2-1/2"	.015 rad	Cylind.	\$30.11	\$19.92
ISC5667178	ECKI-H4R 375-750W02CF-3	3/8"	3/4"	3"	.020 rad	Weldon	\$58.89	\$34.35
ISC5667180	ECKI-H4R 500-1.0W023CF-3	1/2"	1"	3"	.023 rad	Weldon	\$83.86	\$47.00

