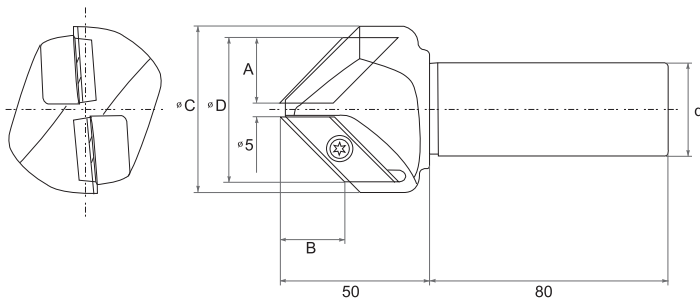
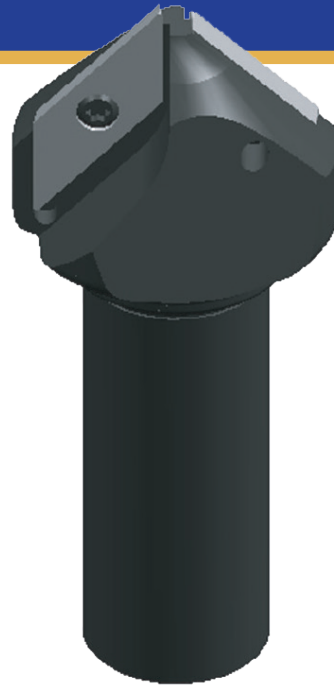


SSANGYONG CHAMFER MILL

Designed for large chamfers and Countersinking



NEW
SCW300
TiALN Coated

Up to
50%

LONGER
TOOL LIFE

than TiN coated
inserts.

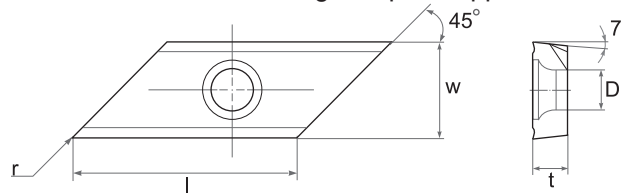
ALL IN STOCK
AT
TOOL & CUTTER

PARTNUMBER	DIMENSIONS						NUMBER OF TEETH	PRICE
	INCL. ANGLE	A	B	ØC	ØD	d		
TER3000007	60°	0.610"	1.004"	1.850"	1.690"	1.000"	2	\$222.75
TER3000008	82°	0.807"	0.807"	2.200"	1.810"	1.000"	2	\$225.75
TER3000009	90°	0.866"	0.807"	2.200"	1.810"	1.000"	2	\$222.75
TER3000010	120°	1.043"	0.590"	2.830"	2.170"	1.000"	2	\$263.25

Work Material	Feed (IPT)	Speed (RPM)
Carbon Steels	.004 ~ .010"	3000 RPM (1000 ~ 4400 RPM)
Stainless Steels		
Cast Irons		
Die Steels	.004 ~ .008"	
Alloy Steels		

Inserts

TER3000002 - SCW200 TIN Coated carbide grade for heavier duty applications.
TER3000001 - SXW300 TiALN coated carbide for higher speed applications



INSERT	DIMENSIONS					GRADE & PRICE	
	l	w	t	D	r	SCW200	SCW300
XCET 031040 ER	0.866"	0.500"	0.177"	0.220"	0.016"	\$44.55	\$48.60

Spare Screws
#TER3000011
\$5.99
each

Inserts sold in
PACKS
OF
FIVE