



Vargus Ltd. is pleased to introduce

# TM Solid MilliPro for Extra-long Threads 4xDo & 5xDo



Also includes these expansions:

- MilliPro 3xDo (pg. 4)
- Helical Flutes - External (pg. 5)



### Features and Benefits:

- Small solid carbide tools, designed for extra deep threads
- Available as standard catalog items
- Range:

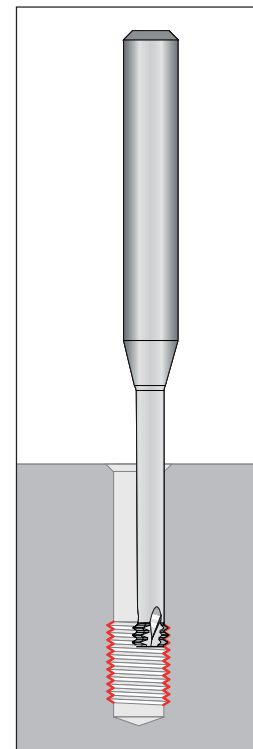
#### 4xDo:

- ISO Metric (M2x0.4 – M16x2.0)
- American UN (No. 2-56 – 1/4"-20)

#### 5xDo:

- ISO Metric (M3x0.5 – M6x1.0)
- American UN (No. 2-56 – 1/4"-20)

- VTH Grade
- Cutting conditions – use the lower cutting conditions of MilliPro 3xDo as offered in the **VARGUS GENius™**.



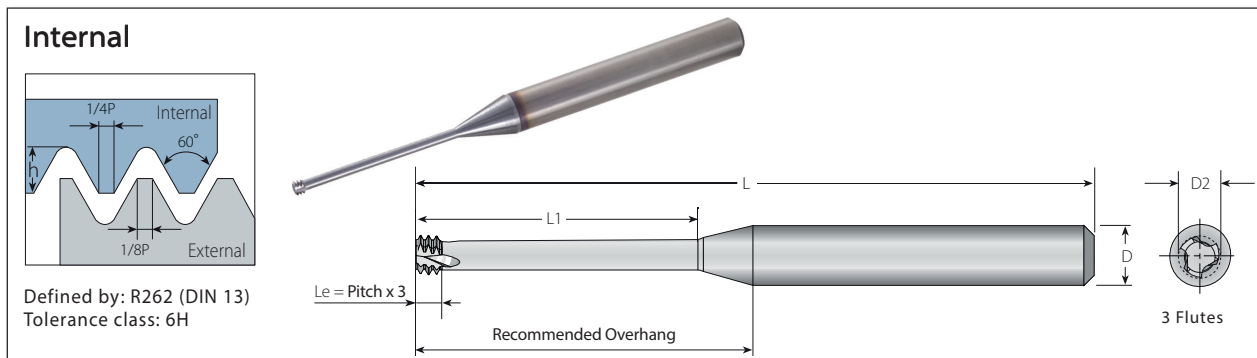
Please contact me directly with specific questions and requests.  
For additional updates and news visit the VARGUS website: [www.vargus.com](http://www.vargus.com)

  
Ami Yacar  
Vardex Product Manager

Scroll down for complete details 

**ISO Metric**

**MilliPro 4xDo & 5xDo**



**MilliPro  
Miniature Thread Mills**

4 x Do (L1 ≤ 4 x Thread Diameter)

Thread		Pitch	Ordering Code	Dimensions mm			No. of Flutes	Teeth	Bore Dia.*	
M Coarse	M Fine	mm	Internal	DCON	DC	OAL	LUX	NOF	NT	PHD
				D	D2	L	L1	Z	Zt	mm
M2x0.4		0.4	D3T06015L082-I0.4ISOTM...	6	1.55	57	8.2	3	3	1.6
M2.5x0.45		0.45	D3T06019L102-I0.45ISOTM...	6	1.95	57	10.2	3	3	2.05
M3x0.5	M3.5-M16x0.5	0.5	D3T06024L122-I0.50ISITM...	3	2.4	57	12.2	3	3	2.5
M4x0.7		0.7	D3T06031L163-I0.7ISOTM...	6	3.15	57	16.4	3	3	3.3
M5x0.8		0.8	D3T06040L205-I0.8ISOTM...	6	4.05	57	20.5	3	3	4.2
M6x1.0	M8-M40x1.0	1	D3T06048L246-I1.0ISOTM...	6	4.8	61	24.6	3	3	5.0
M8x1.25		1.25	D3T08065L326-I1.25ISOTM...	8	6.5	70	32.6	3	3	6.8
M10x1.5	M12-M48x1.5	1.5	D3T10082L408-I1.50ISOTM...	10	8.2	83	40.8	3	3	8.5
M12x1.75		1.75	D3T10099L490-I1.75ISOTM...	10	9.9	91	49	3	3	10.3
M14x2.0	M17-M80x2.0	2.0	D3T12119L650-I2.0ISOTM...	12	11.9	113	65	3	3	12.0

5 x Do (L1 ≤ 5 x Thread Diameter)

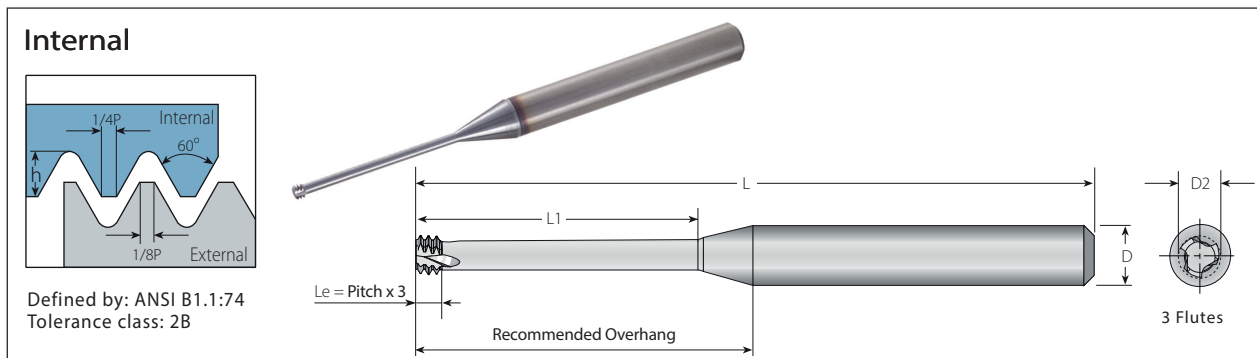
M3x0.5	M3.5-M16x0.5	0.5	D3T06024L153-I0.50ISITM...	3	2.4	57	15.35	3	3	2.5
M4x0.7		0.7	D3T06031L205-I0.7ISOTM...	6	3.15	57	20.5	3	3	3.3
M5x0.8		0.8	D3T06040L256-I0.8ISOTM...	6	4.05	63	25.6	3	3	4.2
M6x1.0	M8-M40x1.0	1.0	D3T06048L307-I1.0ISOTM...	6	4.8	68	30.7	3	3	5.0



\* Bore diameter applies to smallest thread dia.

**American UN**

**MilliPro 4xDo & 5xDo**



Defined by: ANSI B1.1:74  
Tolerance class: 2B

**MilliPro  
Miniature Thread Mills**

**4 x Do (L1 ≤ 4 x Thread Diameter)**

Thread		Pitch	Ordering Code	Dimensions mm			No. of Flutes	Teeth	Bore Dia.*	
UNC	UNF	TPI	Internal	DCON	DC	OAL	LUX	NOF	NT	PHD
				D	D2	L	L1	Z	Zt	mm
No.2-56	No.3-56	56	D3T06016L093-I56UNTM...	6	1.65	57	9.3	3	3	1.8
No.4, No.5-40	No.6-40	40	D3T06021L120-I40UNTM...	6	2.1	57	12	3	3	2.3
No.8-32		32	D3T06032L173-I32UNTM...	6	3.2	57	17.3	3	3	3.5
No.6-32, No.8-32	No.10-32	32	D3T06025L146-I32UNTM...	6	2.55	57	14.6	3	3	2.8
	1/4"x28	28	D3T06052L261-I28UNTM...	6	5.25	63	26.1	3	3	5.5
1/4"-20	7/16"-20	20	D3T06048L264-I20UNTM...	6	4.88	64	26.4	3	3	5.2

**5 x Do (L1 ≤ 5 x Thread Diameter)**

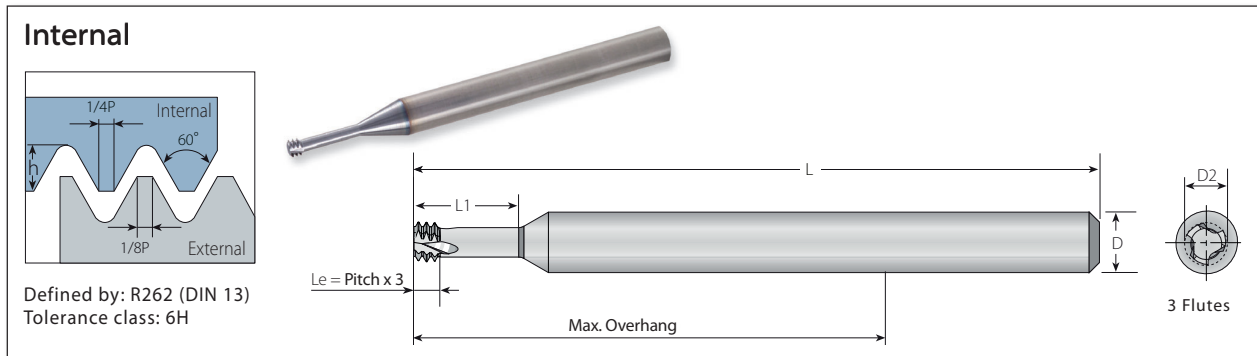
No.2-56	No.3-56	56	D3T06016L116-I56UNTM...	6	1.65	57	11.6	3	3	1.8
No.4, No.5-40	No.6-40	40	D3T06021L150-I40UNTM...	6	2.1	57	15	3	3	2.3
No.8-32		32	D3T06032L216-I32UNTM...	6	3.2	57	21.6	3	3	3.5
No.6-32, No.8-32	No.10-32	32	D3T06025L182-I32UNTM...	6	2.55	57	18.2	3	3	2.8
	1/4"x28	28	D3T06052L326-I28UNTM...	6	5.25	70	32.6	3	3	5.5
1/4"-20	7/16"-20	20	D3T06048L330-I20UNTM...	6	4.88	70	33	3	3	5.2



\* Bore diameter applies to smallest thread dia.

**ISO Metric**

**MilliPro EXPANSION**



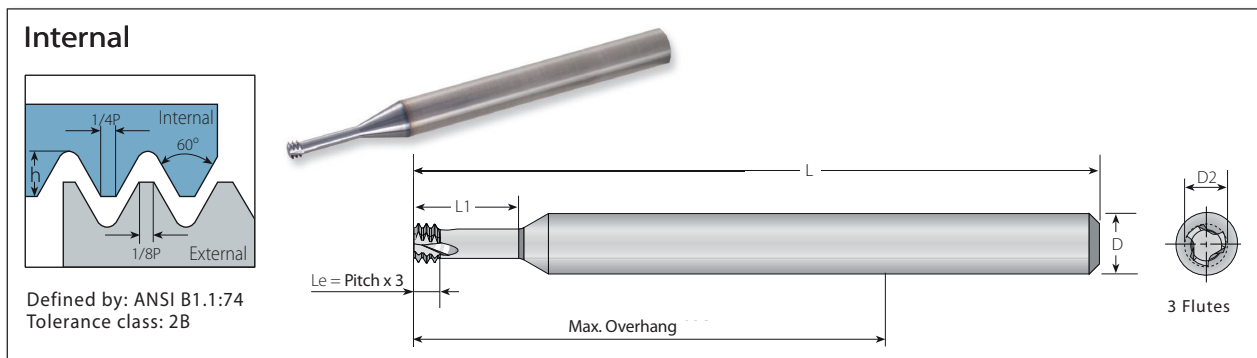
**MilliPro Miniature Thread Mills**

3 x Do (L1 ≤ 3 x Thread Diameter)

Thread		Pitch	Ordering Code	Dimensions mm			No. of Flutes	Teeth	Bore Dia.*	
M Coarse	M Fine	mm	Internal	DCON	DC	OAL	LUX	NOF	NT	PHD
				D	D2	L	L1	Z	Zt	mm
M10x1.5	M12-M48x1.5	1.5	D3T10082L312-I1.5ISOTM...	10	8.2	73	31.2	3	3	8.5
M12x1.75		1.75	D3T10099L375-I1.75ISOTM...	10	9.9	78	37.5	3	3	10.3

**American UN**

**MilliPro EXPANSION**



**MilliPro Miniature Thread Mills**

3 x Do (L1 ≤ 3 x Thread Diameter)

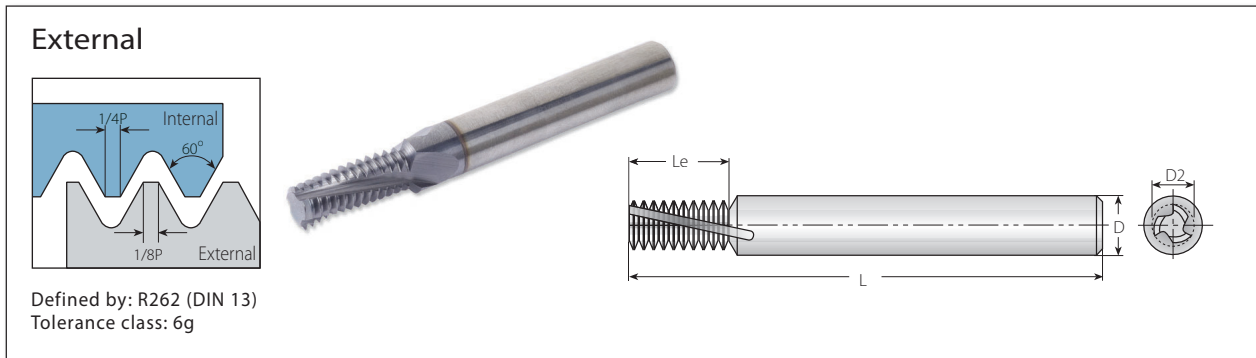
Thread		Pitch	Ordering Code	Dimensions mm			No. of Flutes	Teeth	Bore Dia.*	
UNC	UNF	TPI	Internal	DCON	DC	OAL	LUX	NOF	NT	PHD
				D	D2	L	L1	Z	Zt	mm
1/2"x13		13	D3T12104L385-I13UNTM...	12	10.4	83	38.5	3	3	10.8



\* Bore diameter applies to smallest thread dia.

**ISO Metric**

**Helical EXPANSION**



**Helical Flutes - External**

**2 x Do (L1 ≤ 2 x Thread Diameter)**

Thread	Pitch	Ordering Code	Dimensions mm				No. of Flutes	Teeth
M Coarse	mm	Internal	D CON	DC	OAL	LUX	NOF	NT
			D	D2	L	L1	Z	Zt
M4x0.7	0.7	H04030L08-E0.7ISOTM...	4	3	45	8.4	3	12
M5x0.8	0.8	H06040L10-E0.8ISOTM...	6	4	57	10.4	3	12



**Tool+Cutter**  
Specialists in Cutting Tools Since 1969



phone - 800-265-6056  
email - support@toolandcutter.com



**WWW.TOOLANDCUTTER.COM**