

CLEARANCE SALE



Tool & Cutter

Specialists in Cutting Tools Since 1969



phone - 800-265-6056
email - support@toolandcutter.com



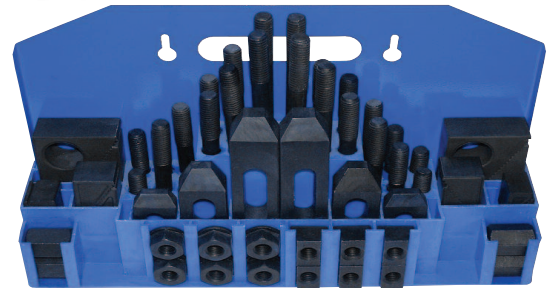
WWW.TOOLANDCUTTER.COM

FREE TCS
T-SHIRT &
HAT
WITH
EACH
ORDER!!



Economy Machinist Clamping Kit - Means Great Savings!

TE-CO Tooling Components and Tool & Cutter are offering an economy line of Machinist Clamp Kits at substantial savings. Of course, the same quality and high standards of the TE-CO Premium Kits are also found in these kits. The only difference between the two is that the economy line has no TE-CO logo, no flats on studs, no t-slot cleaner, and stud threads are rolled, not cut. What you will find though, is a nice price tag.



PART# TEC20402PL - ONLY 20pc AVAILABLE @ \$135.00

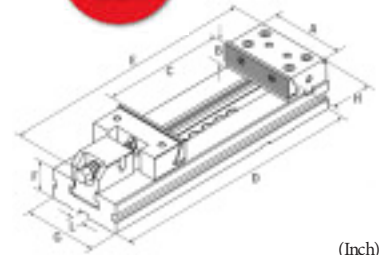
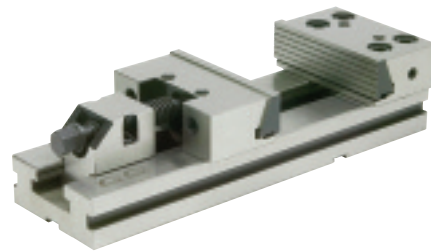
GS Plain Base Modular Vises

Manufactured under rigid quality control. As a result of the high standard construction, GS Vises can be depended upon to maintain their accuracy under the most severe operating conditions. The modular design and the concept of interchangeability makes possible a wide variety of set up combinations.

Features/Benefits:

- High accuracy
- Unlimited clamping range
- High quality alloy steel
- High clamping pressure
- No jaw lift
- All vises are matched

382025-ONLY 3 @ \$1,250.00!!!



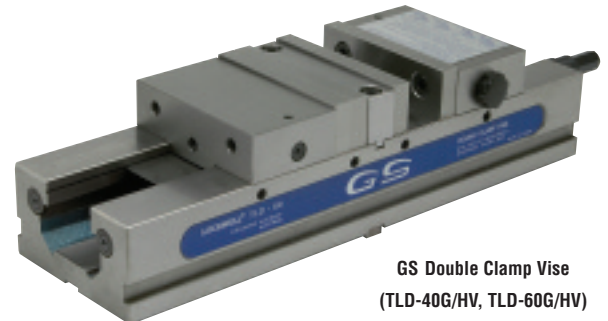
Modular Vise Specs

Model	Jaw Width (A)	Opening (C)	Jaw Height (B)	Code No.	Price \$
4	7	12	2.4	382-025	\$2,768.20

Vise Size	Code No.	D	E	F	G	H	I	Kgs
7 x 12	382-025	21.85	24.80	2.32	5.8	3.876	.64	42

Double Clamp Vises

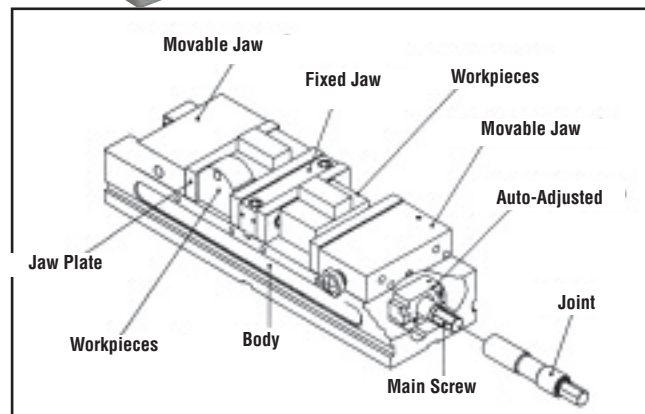
- Double clamp set ~ one handle can simultaneously operate two moveable jaws and clamps 2 workpieces of same or different size or one large workpiece
- This model can increase efficiency and productivity of CNC machines
- The movable jaw ANTI-LIFT mechanism provides alignment to workpiece without jaw lift
- There are 6 kinds of clamping ways to meet workpieces of different shapes and sizes
- The whole body is precisely ground and height tolerance is within $\pm 0.025\text{mm}$ ($\pm 0.001''$), therefore several vises can be lined up for production
- The vise is made of FDC-80.000 PSI (55kg/cm²) Ductile iron, and slide ways are hardened to HRC45
- The rigid construction prevents base distortion
- Precision made to high accuracy standard



GS Double Clamp Vise (TLD-40G/HV, TLD-60G/HV)

Model	Jaw Width	Opening	Jaw Height	O.A.L.	Base Length	Height	Width	Weight
TLD-60G/HV	6"	2 X 125mm	41.5mm	639mm	520mm	123.5mm	154mm	48kg
				Model No.	Code No.	Price \$		
				6" - TLD-60G/HV	382-600	\$3,065.00		

382600-ONLY 1 @ \$1,400.00!!!



*** PLEASE NOTE : DUE THE CLEARANCE PRICES ON THE VISES - COURIER FREIGHT IS NOT INCLUDED ***

PLEASE ARRANGE FOR PICK UP OR WE MAY BE ABLE TO ACCOMODATE DELIVERY BY A SALES REPRESENTATIVE.