

Tool+Cutter
Specialists in Cutting Tools Since 1969



phone - 800-265-6056
email - support@toolandcutter.com



WWW.TOOLANDCUTTER.COM

Economy Machinist Clamping Kit

Means Great Savings!

TE-CO Tooling Components and KIPUS are offering an economy line of Machinist Clamp Kits at substantial savings. Of course, the same quality and high standards of the TE-CO Premium Kits are also found in these kits. The only difference between the two is that the economy kits have the TE-CO logo, no flats on studs, no t-slot cleaner, and stud threads are rolled, not cut. What you will find though, is a nice price tag.



ONLY 20PC AVAILABLE AT THIS PRICE

\$ D3) "00

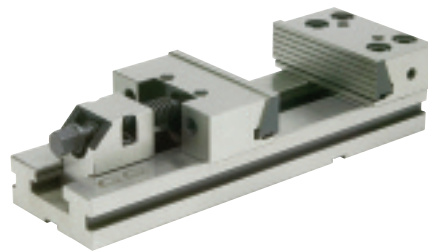
GS Plain Base Modular Vises

Manufactured under rigid quality control. As a result of the high standard construction, GS Vises can be depended upon to maintain their accuracy under the most severe operating conditions. The modular design and the concept of interchangeability makes possible a wide variety of set up combinations.

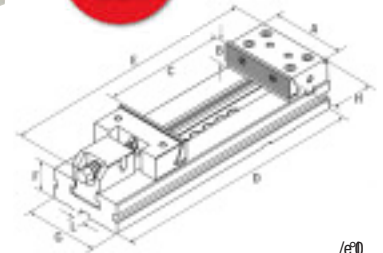
Features/Benefits:

- High accuracy
- Unlimited clamping range
- High quality alloy steel
- High clamping pressure
- No jaw lift
- All vises are matched

PART # SOW382015 - \$ 955.00 -1 Left



WHILE SUPPLIES LAST!



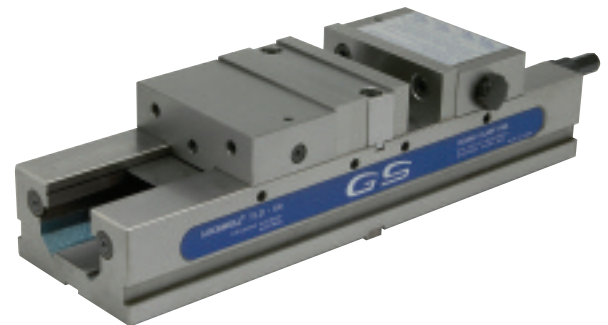
Model	Jaw Width (A)	Opening (C)	Jaw Height (B)	Code No.	Price \$
3	6	8	2	382-015	\$1,799.40

Vise Size	Code No.	D	E	F	G	H	I	Kgs
6 x 8	382-015	16.8	20.86	2	5	3.574	.64	25.5
7 x 12	382-025	21.85	24.80	2.32	5.8	3.876	.64	42

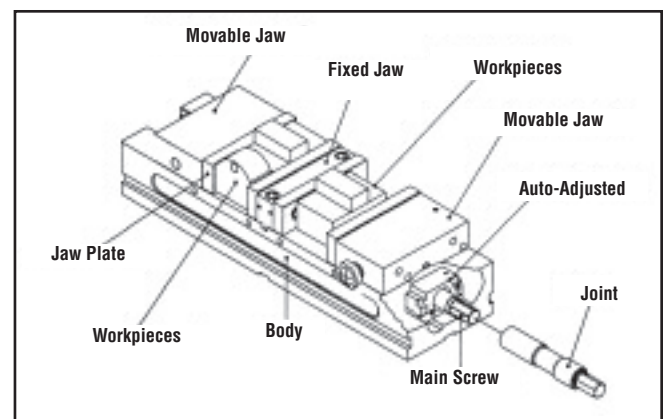
DOUBLE CLAMP VISE

- Double clamp set ~ one handle can simultaneously operate two moveable jaws and clamps 2 workpieces of same or different size or one large workpiece
- This model can increase efficiency and productivity of CNC machines
- The movable jaw ANTI-LIFT mechanism provides alignment to workpiece without jaw lift
- There are 6 kinds of clamping ways to meet workpieces of different shapes and sizes
- The whole body is precisely ground and height tolerance is within $\pm 0.025\text{mm}$ ($\pm 0.001"$), therefore several vises can be lined up for production
- The vise is made of FDC-80.000 PSI (55kg/cm²) Ductile iron, and slide ways are hardened to HRC45
- The rigid construction prevents base distortion
- Precision made to high accuracy standard

WHILE SUPPLIES LAST!



GS Double Clamp Vise
(TLD-40G/HV, TLD-60G/HV)



Double Clamp Vise

Model No.	Code No.	Price \$
6" - TLD-60G/HV	382-600	\$3,065.00

PART # SOW382600 - \$ 1,599.00 - SOLD OUT