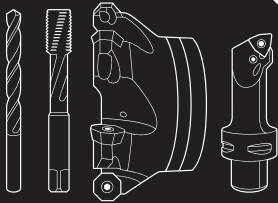


2022 Promotion

No Charge Grooving Tool!
See details below



One, two, or four cutting edges to maximize productivity

Walter Grooving

FOUR GROOVING SYSTEMS - UNIQUE BENEFITS

- Walter Cut DX with SmartLock
 - Patented SmartLock technology on the G4014 makes it possible to index the inserts in the machine without the need to take the tool off of gang tooling; substantially reducing the change time.
- Walter Cut GX
 - The wide range of double-edged indexable inserts makes the GX system the first choice for cutting depths up to 1.299 in and parting off diameters up to 2.559 in.
- Walter Cut MX
 - Walter Cut MX is the perfect grooving and parting off tooling system for parting off small diameters up to 0.236 in and for grooving up to 0.472 in.
- Walter Cut SX
 - A self-clamping grooving system is indispensable wherever large cut off depths are required.



DX

Patented parting-off system, ideal for Swiss machining



GX

Universal "go to" system for grooving, groove-turning, and parting off



MX

Tangential arrangement enables outstanding flatness and surface quality



SX

Deep grooving and parting off with internal coolant



Promotion includes modular tools!*

Promotion Details

Purchase qualifying number of inserts in the corresponding system and receive the tool holder free! *For modular tools, purchase 1 box per tool body and 1 box per module.

Use **ST0600271**



Tool+Cutter
Specialists in Cutting Tools Since 1969



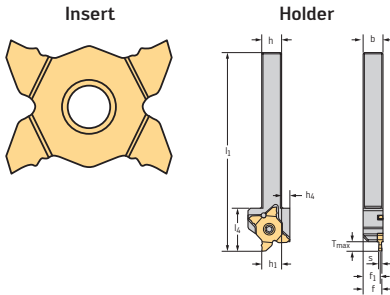
phone - 800-265-6056
email - support@toolandcutter.com



WWW.TOOLANDCUTTER.COM

Offers below are for example only

MX system

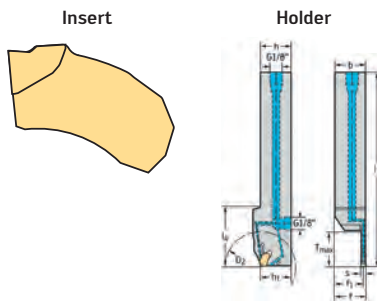


	s in	T _{max} in	b in	h = h ₁ in	l ₁ in
Insert MX22-2E318N02-CF5 WSM23S	0.125	-	-	-	-
Holder G3011-1212R-MX22-2	-	0.236	0.472	0.472	4.724
G3011.08R-MX22-2-P	-	0.236	0.5	0.5	4.724

Promotion Details

- Buy (5) MX inserts, get one non-thru coolant holder for free
- Buy (10) MX inserts, get one thru coolant (-P) holder for free
- Buy (10) MX inserts, get one monoblock Capto holder for free

SX system

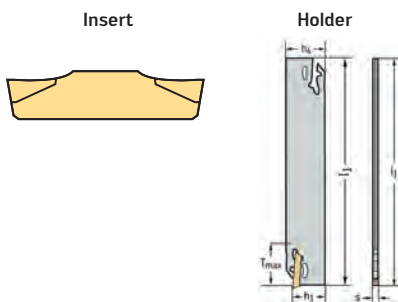


	s in	T _{max} in	b in	h = h ₁ in	l ₁ in
Insert SX-3E300N02-CF5 WSM33S	0.118	-	-	-	-
Holder G2012.16R-3T33SX	-	1.299	1.0	1.0	5.906
G2012.16R-3T33SX-P	-	1.299	1.0	1.0	5.906

Promotion Details

- Buy (10) SX inserts, get one non-thru coolant holder for free
- Buy (20) SX inserts, get one thru coolant (-P) holder for free
- * For modular tools, purchase 1 box per tool body and 1 box per module.

GX system

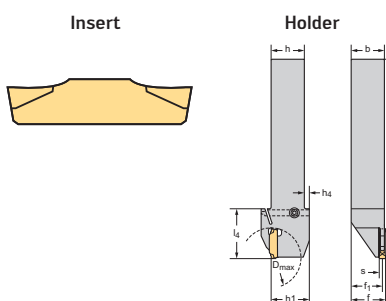


	s in	T _{max} in	b in	h = h ₁ in	l ₁ in
Insert GX24-3E400N02-CF5 WSM33S	0.157	-	-	-	-
Holder G1011.12R-3T21GX24	-	0.827	0.75	0.75	5.906
G1011.12R-3T21GX24-P	-	0.827	0.75	0.75	5.906

Promotion Details

- Buy (10) GX inserts, get one non-thru coolant holder for free
- Buy (20) GX inserts, get one thru coolant (-P) holder for free
- * For modular tools, purchase 1 box per tool body and 1 box per module.
- ** For Monoblock-Capto tooling, buy (40) GX inserts, get the holder for free.

DX system



	s in	D _{max} in	b in	h = h ₁ in	l ₁ in
Insert DX18-2E200R7-CF5 WSM23S	0.079	-	-	-	-
Holder G4014.08R-1.5T12DX18	-	0.984	0.5	0.5	4.331
G4014.08R-2T12DX18-P	-	0.984	0.5	0.5	4.331

Promotion Details

- Buy (10) DX inserts, get one non-thru coolant holder for free
- Buy (20) DX inserts, get one thru coolant (-P) holder for free
- * For Monoblock-Capto tooling, buy (40) DX inserts, get the holder for free.