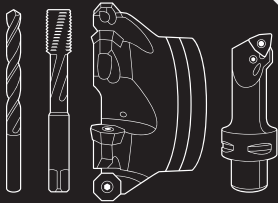


2023 Promotion

Free Grooving Tool!  
See details below

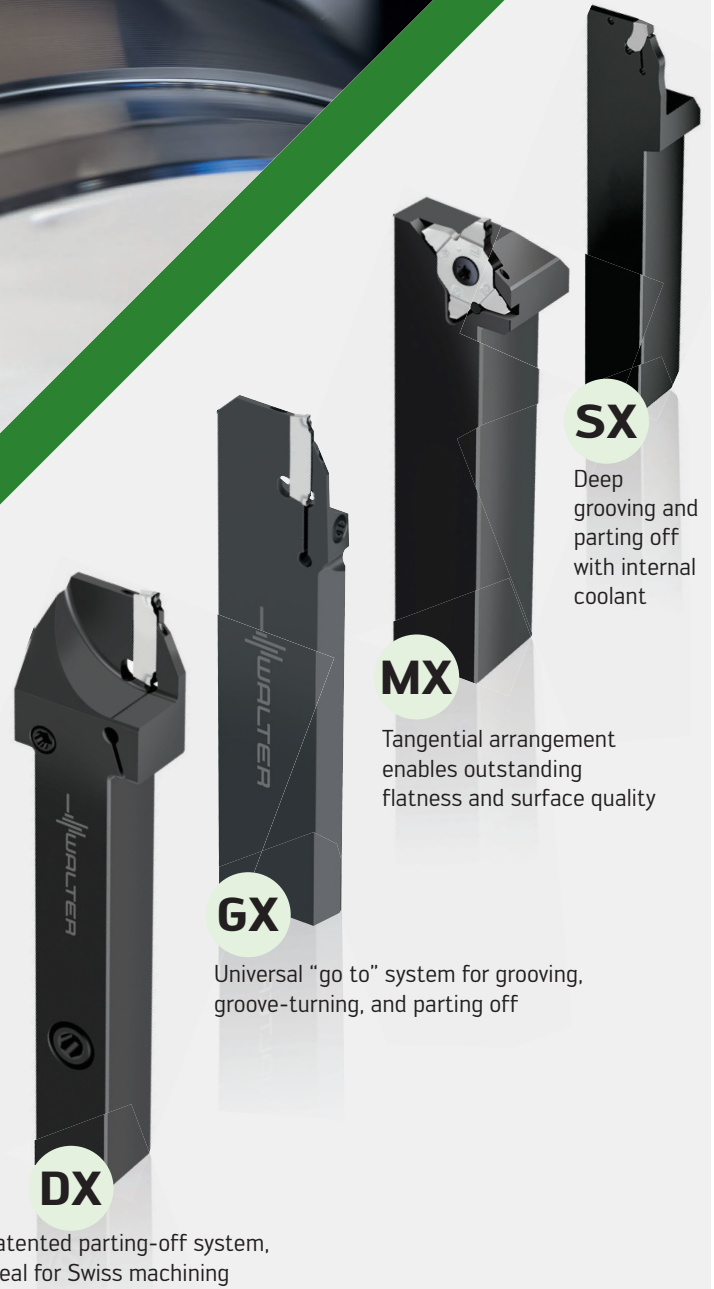


One, two, or four  
cutting edges to  
maximize productivity

## Walter Grooving

### FOUR GROOVING SYSTEMS - UNIQUE BENEFITS

- Walter Cut DX with SmartLock
  - Patented SmartLock technology on the G4014 makes it possible to index the inserts in the machine without the need to take the tool off of gang tooling; substantially reducing the change time.
- Walter Cut GX
  - The wide range of double-edged indexable inserts makes the GX system the first choice for cutting depths up to 1.299 in and parting off diameters up to 2.559 in.
- Walter Cut MX
  - Walter Cut MX is the perfect grooving and parting off tooling system for parting off small diameters up to 0.236 in and for grooving up to 0.472 in.
- Walter Cut SX
  - A self-clamping grooving system is indispensable wherever large cut off depths are required.



**SX**

Deep  
grooving and  
parting off  
with internal  
coolant

**MX**

Tangential arrangement  
enables outstanding  
flatness and surface quality

**GX**

Universal "go to" system for grooving,  
groove-turning, and parting off

**DX**

Patented parting-off system,  
ideal for Swiss machining

### Promotion Details

Purchase qualifying number of inserts in the corresponding system and receive the tool holder free!  
Promotion dates: September 1st thru December 29th, 2023

Use promo code **GROOVINGQ4**



**Tool+Cutter**  
Specialists in Cutting Tools Since 1969



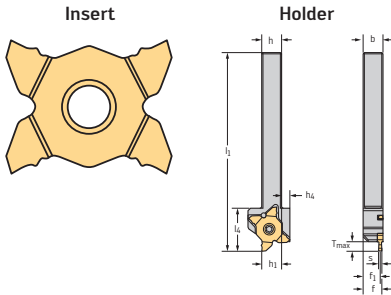
phone - 800-265-6056  
email - support@toolandcutter.com



WWW.TOOLANDCUTTER.COM

Offers below are for example only; see full promotion details in Q4 customer presentation or contact your local Walter representative.

## MX system

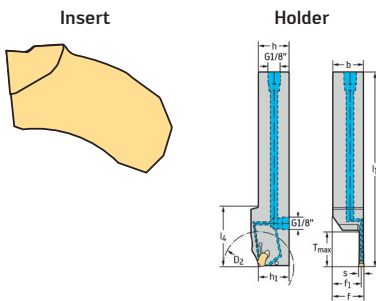


	s in	T <sub>max</sub> in	b in	h = h <sub>1</sub> in	l <sub>1</sub> in
<b>Insert</b> MX22-2E318N02-CF5 WSM23S	0.125	-	-	-	-
<b>Holder</b> G3011-1212R-MX22-2	-	0.236	0.472	0.472	4.724
G3011.08R-MX22-2-P	-	0.236	0.5	0.5	4.724

**Promotion Details**

- Buy (5) MX inserts, get one non-thru coolant holder for free
- Buy (10) MX inserts, get one thru coolant (-P) holder for free
- Buy (10) MX inserts, get one monoblock Capto holder for free

## SX system

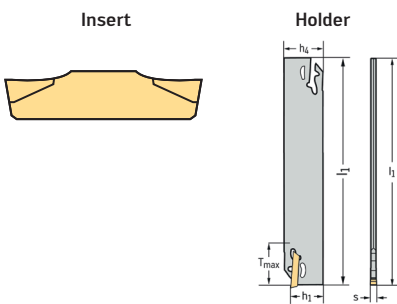


	s in	T <sub>max</sub> in	b in	h = h <sub>1</sub> in	l <sub>1</sub> in
<b>Insert</b> SX-3E300N02-CF5 WSM33S	0.118	-	-	-	-
<b>Holder</b> G2012.16R-3T33SX	-	1.299	1.0	1.0	5.906
G2012.16R-3T33SX-P	-	1.299	1.0	1.0	5.906

**Promotion Details**

- Buy (10) SX inserts, get one non-thru coolant holder for free
- Buy (20) SX inserts, get one thru coolant (-P) holder for free

## GX system

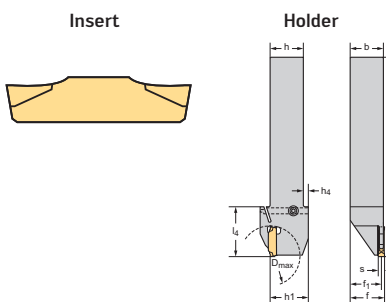


	s in	T <sub>max</sub> in	b in	h = h <sub>1</sub> in	l <sub>1</sub> in
<b>Insert</b> GX24-3E400N02-CF5 WSM33S	0.157	-	-	-	-
<b>Holder</b> G1011.12R-3T21GX24	-	0.827	0.75	0.75	5.906
G1011.12R-3T21GX24-P	-	0.827	0.75	0.75	5.906

**Promotion Details**

- Buy (10) GX inserts, get one non-thru coolant holder for free
- Buy (20) GX inserts, get one thru coolant (-P) holder for free
- \* For Monoblock-Capto tooling, buy (40) GX inserts, get the holder for free.

## DX system



	s in	D <sub>max</sub> in	b in	h = h <sub>1</sub> in	l <sub>1</sub> in
<b>Insert</b> DX18-2E200R7-CF5 WSM23S	0.079	-	-	-	-
<b>Holder</b> G4014.08R-1.5T12DX18	-	0.984	0.5	0.5	4.331
G4014.08R-2T12DX18-P	-	0.984	0.5	0.5	4.331

**Promotion Details**

- Buy (10) DX inserts, get one non-thru coolant holder for free
- Buy (20) DX inserts, get one thru coolant (-P) holder for free
- \* For Monoblock-Capto tooling, buy (40) DX inserts, get the holder for free.